



Unadulterated Analog Precision

Engineering the EIZZ EZ-6009E Tonearm.

Engineering disappears so only the music remains.

True analog fidelity requires an absence of compromise. EIZZ components are born from rigorous design where mechanics, materials, and structural balance play an essential role—not to impress the eye, but to support the music with absolute firmness, silence, and precision.

*“Extracting the full potential of vinyl,
respecting its essence and harmonic richness.”*



Anatomy of an Instrument

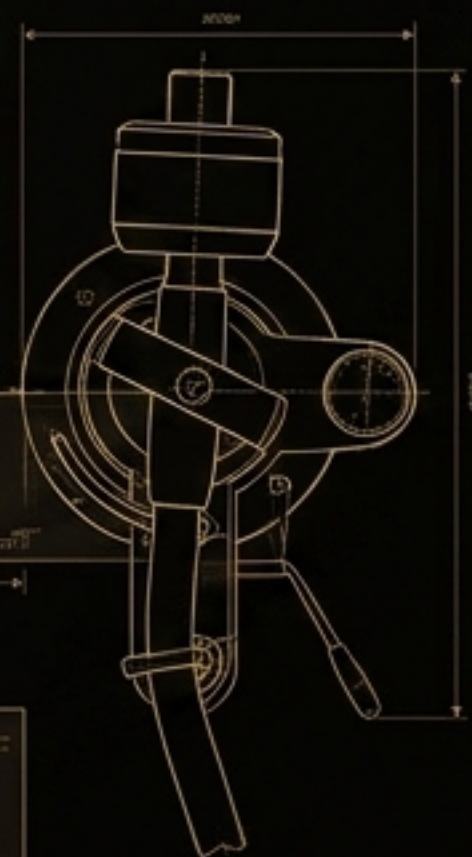
The EIZZ EZ-6009E is designed for the discerning enthusiast seeking uncompromising construction. It represents an honest, coherent, and surprisingly competitive offering within the high-end audio landscape.



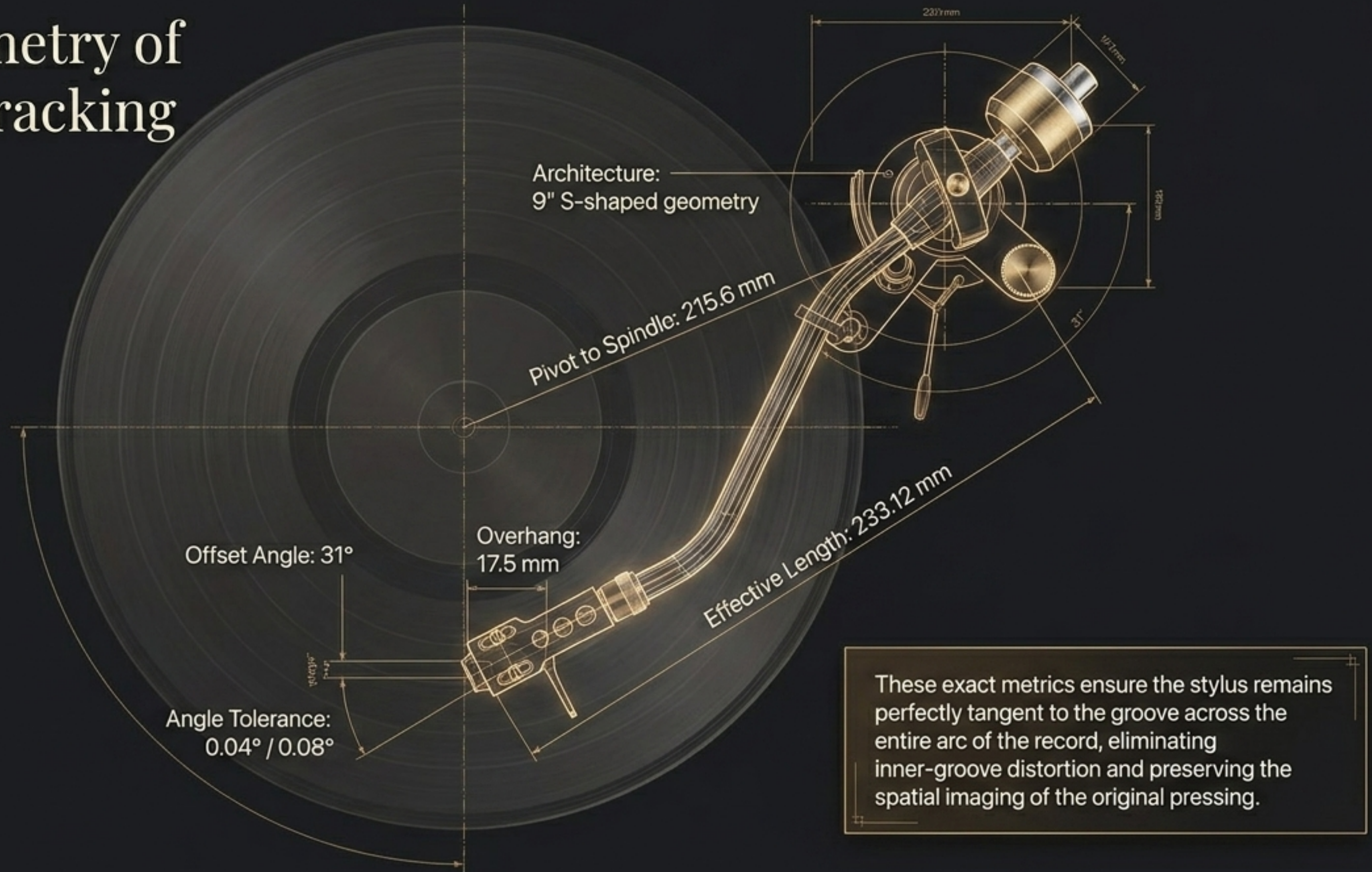
Structural Rigidity

Omnidirectional Sensitivity

Absolute Signal Purity



The Geometry of Perfect Tracking



Material Impact Matrix: Form Dictating Frequency

Component Material	Mechanical Property	Acoustic Result
Polished Chrome-Plated Brass Tube	Extreme Structural Rigidity	Complete Resonance Control
4mm Miniature Pin Bearings	Frictionless Multi-Axis Movement	Extreme Micro-Detail Resolution
Audio Note 5N British OFC	Unimpeded Electron Flow	Pure, Lossless Signal Transmission

Every element is chosen to reject unwanted vibration while passing the delicate micro-volt signal entirely unharmed.

The Micro-Bearing Engine

The heart of the EZ-6009E's tracking capability lies in a proprietary bearing system developed exclusively for this model.

Four-Point Architecture:

Distributes dynamic loads evenly across all axes.

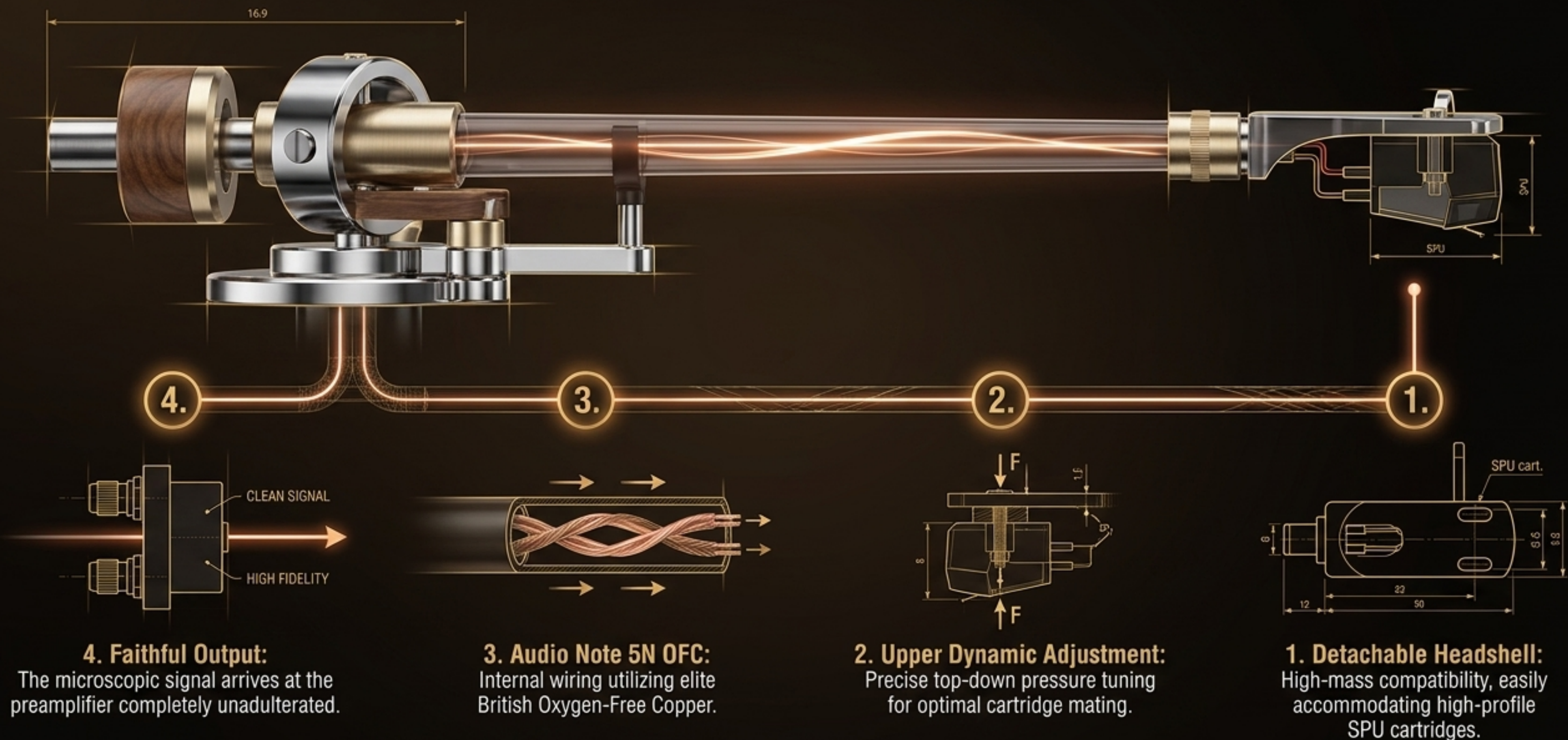
4mm Miniature Pin Bearings:

Drastically reduces contact friction compared to standard bearings.

Extreme Sensitivity:

Allows the stylus to react instantly to microscopic groove modulations, revealing textures previously hidden in the pressing.

The Pure Signal Path



The EIZZ Balance

Control

Delivered by the rigid chrome-plated brass architecture.

Fluidity

Enabled by the frictionless 4mm pin bearing engine.

**The
Naturalness
of Music**

Analytical Capacity

Carried by the Audio Note 5N OFC signal path.

The EZ-6009E does not force a sound signature onto your records. It achieves a delicate balance, stepping out of the way to present the recording exactly as it was mastered.

Uncompromising Precision, Accessible Reality

Current Investment:
€ 580 (VAT included)
~~Previously €650~~

Available in structured installments
tailored to your system upgrade.

Example: € 26.34 per month (24-month term).

Financing offered via Banco Cetelem SAU. Total amount €632.20.

The Complete Acoustic Ecosystem

Maximize structural synergy by pairing the EZ-6009E tonearm with its engineered counterpart.



Bundle Offer Box

EZ-4000Z / EZ-4002C Turntable + EZ-6009E Arm

Bundle Investment: € 3,590 (VAT included)

Perfectly matched mass, resonance characteristics, and visual elegance.

Reclaim the harmonic richness of your collection.

The EIZZ EZ-6009E. Where engineering is put entirely at the service of music.

Secure your EZ-6009E and experience unadulterated analog playback. Available through Lyric Audio Elite.